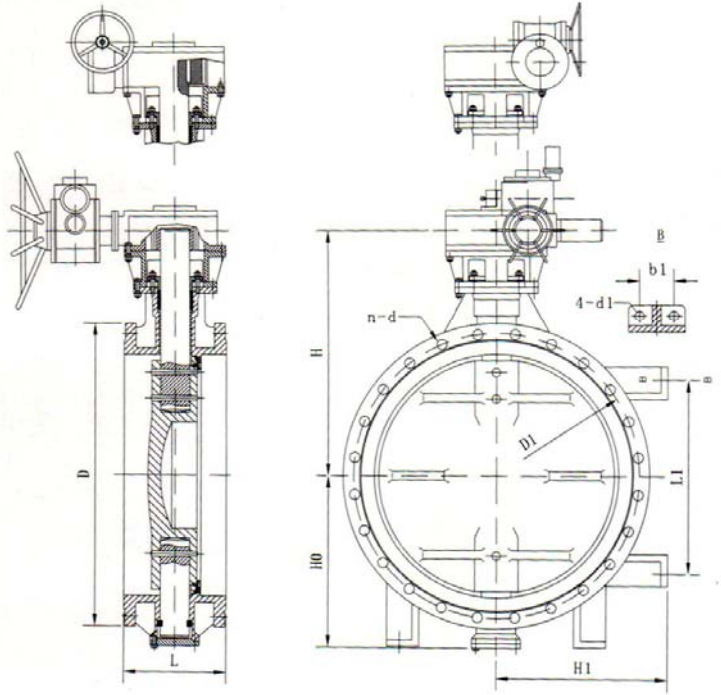


SOFT SEALING BUTTERFLY VALVE



Specification

Valve size (mm)	DN150-DN3000
Pressure rating (MPa)	PN 0.6/1.0
Applicable temperature °C	0°C-180°C
Applicable medium	Clean water, sewage, raw water (EPDM), oil (NBR)
Coating	Poison free powder epoxy (option)

Pressure Test for PN1.0MPa

Item	Pressure PN (MPa)
Hydro Test	1.5
Leakage Test	1.1

Material Specification

Component	Body and Disc	Seat	Packing	Stem
Material	Grey cast iron	NBR	Graphite	WCB
	Ductile iron	EPDM		Stainless steel
	WCB	PTFE	NBR	
	Stainless steel			

Dimensions

Diameter DN(mm)	Pressure PN(MPa)	D (mm)	D ₁ (mm)	L (mm)	H ₀ (mm)	H (mm)	H ₁ (mm)	L ₁ (mm)	B ₁ (mm)	D ₁ (mm)	n-d (mm)	Weight (Kg)
150	1.0	285	240	140	142	250	-	-	-	-	8-22	80
200	1.0	340	295	152	170	335	-	-	-	-	8-22	100
250	1.0	395	350	165	220	405	-	-	-	-	12-22	121
300	1.0	445	400	178	260	440	-	-	-	-	12-22	159
350	1.0	505	460	190	300	485	-	-	-	-	16-22	222
400	1.0	565	515	216	330	510	-	-	-	-	16-26	237
450	1.0	615	565	222	355	550	-	-	-	-	20-26	271
500	1.0	670	620	229	385	640	-	-	-	-	20-26	300
600	1.0	780	725	267	445	700	-	-	-	-	20-30	381
700	1.0	895	840	292	510	805	-	-	-	-	24-30	651
800	1.0	1015	950	318	570	950	-	-	-	-	24-30	792
900	1.0	1115	1050	330	630	1000	-	-	-	-	28-33	1034
1000	1.0	1230	1160	300	700	1140	-	-	-	-	28-36	1334
1200	1.0	1455	1380	350	830	1350	800	500	180	37	32-39	1953
1400	1.0	1675	1590	390	960	1470	900	700	180	41	36-42	2937
1600	0.6	1830	1760	420	1080	1630	1000	1000	180	41	36-40	4276
1800	0.6	2045	1970	490	1215	1750	1100	1100	190	41	39-44	5150
2000	0.6	2265	2180	540	1350	1850	1200	1200	240	43	42-48	6460
2200	0.6	2475	2390	600	1600	1980	1300	2200	330	43	42-52	9100
2400	0.6	2685	2600	660	1750	2120	1360	2400	330	45	42-56	10710
2600	0.6	2905	2810	720	1880	2230	1500	2600	330	45	48-60	13760
2800	0.6	3115	3020	790	1980	2400	1610	2800	400	48	48-64	14280
3000	0.6	3315	3220	860	2080	2600	1690	3000	470	48	48-68	18200

* The information herein is subject to change without notice.